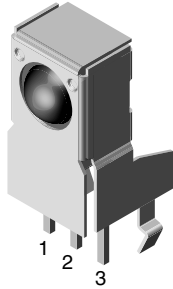
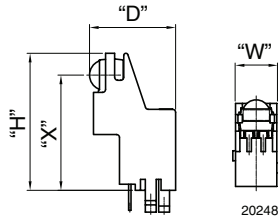


# IR Receiver Modules for Remote Control Systems



18552



20248

**FEATURES**

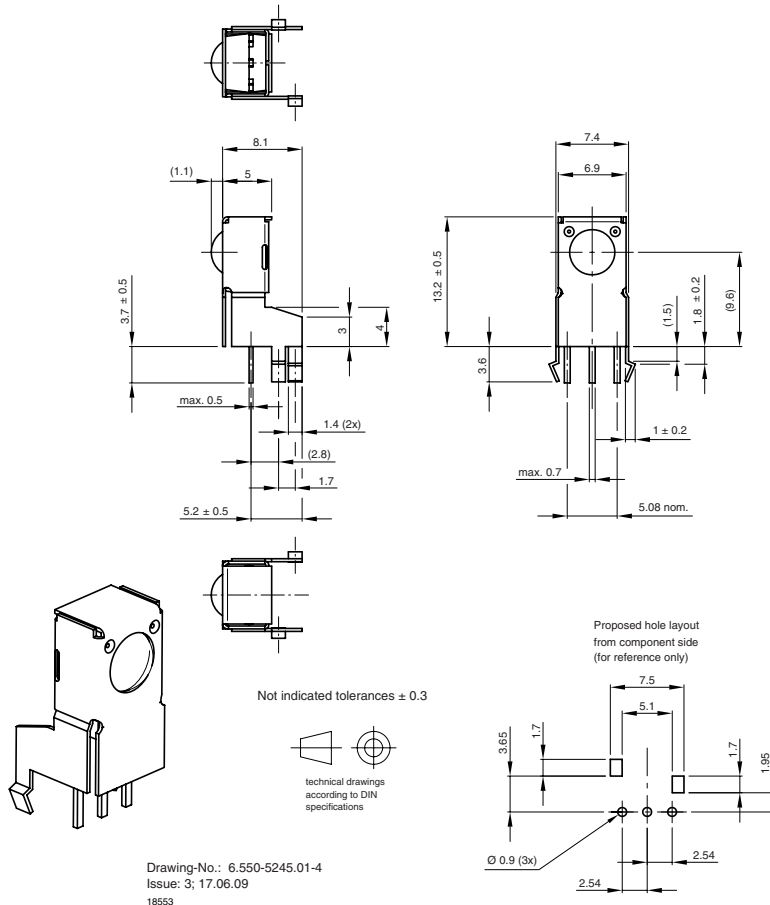
- Compliant to RoHS directive 2002/95/EC and in accordance to WEEE 2002/96/EC


**AVAILABLE FOR:**

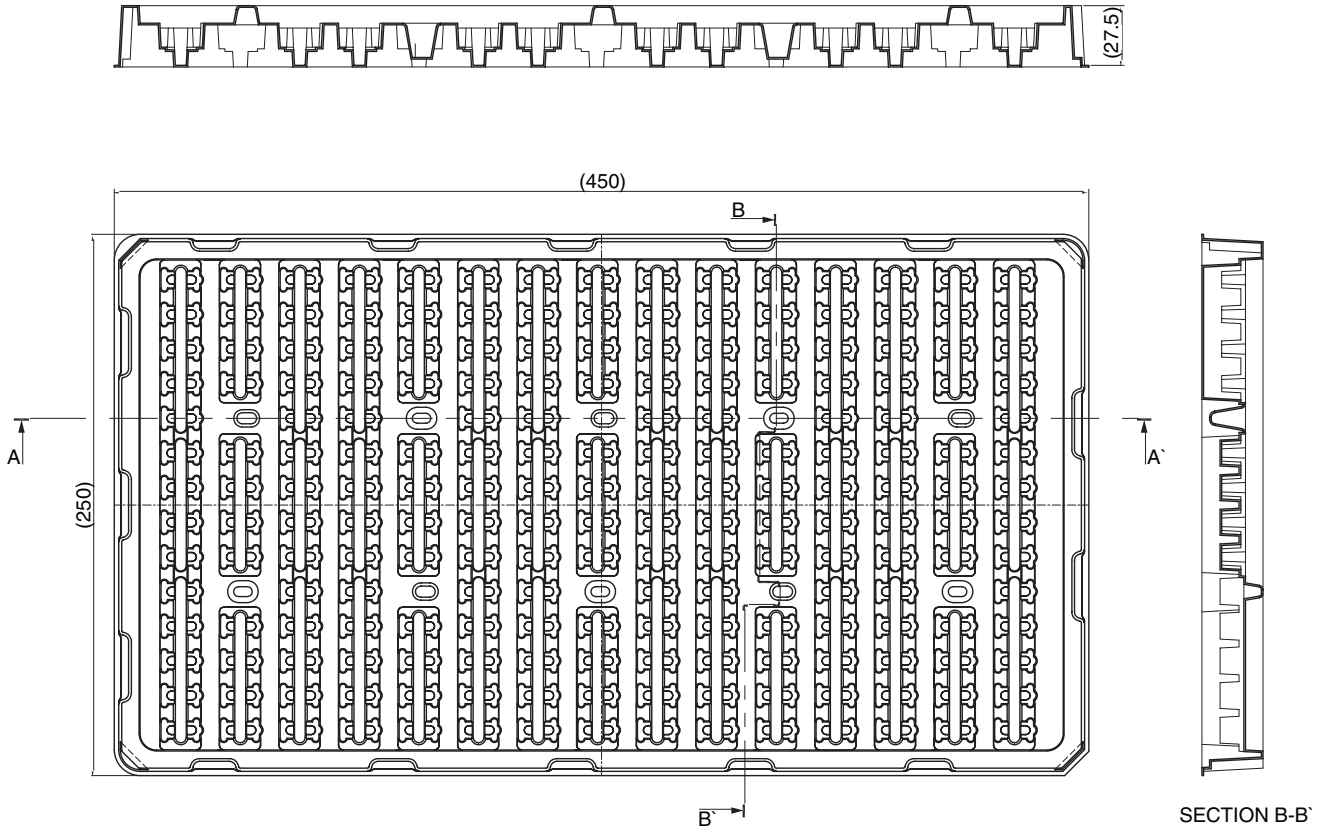
- TSOP34...
- TSOP4....
- TSOP32...
- TSOP2....


**RoHS**  
COMPLIANT

NAME	LENS AXIS (X)	VIEW	TYPE	HEIGHT (H)	WIDTH (W)	DEPTH (D)
JH1	9.6	Side	Holder	13.2	7.4	9.2

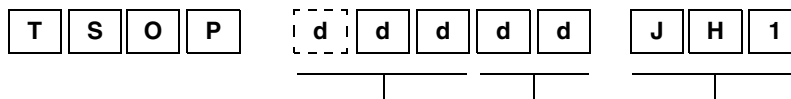
**MECHANICAL DIMENSIONS** in millimeters


**PACKAGING DIMENSIONS** in millimeters



Drawing-No.: 9.700-5229.0-1  
 Rev. 2; Date: 07.07.03  
 20274-1

**ORDERING INFORMATION**



2 or 3 digit product series    2 digit frequency    Holder type

**Note**

d = "digit", please consult the list of available series on the previous page to create a valid part number.

**Example: TSOP14838JH1**

**PACKING QUANTITY**

- 200 pieces per tray
- 3 trays per carton